

KARL MAYER

WE CARE ABOUT YOUR FUTURE

WARP KNITTING
经编机

ML 34

ML 46

ML 41

Multibar Raschel machines for the production
of patterned elastic and rigid lace
生产弹力和无弹花边的多梳拉舍尔经编机





ML SERIES: DIVERSITY IN LACE – FROM LINGERIE TO CURTAIN

ML系列经编机：多样化的花边面料——
从内衣到窗帘

Your Benefit – Our Solution

您的优势 – 我们的解决方案

Multibar Raschel machines for the production of patterned elastic and rigid lace

生产弹力和无弹花边的多梳拉舍尔经编机

With this group of pure multibar lace machines KARL MAYER offers convincing tools for the production of a wide range of high-quality lace fabrics.

Elastic lace galloons for ladies' intimate apparel, rigid all-over fabrics for ladies' outerwear as well as elaborately decorated all-overs for curtains.

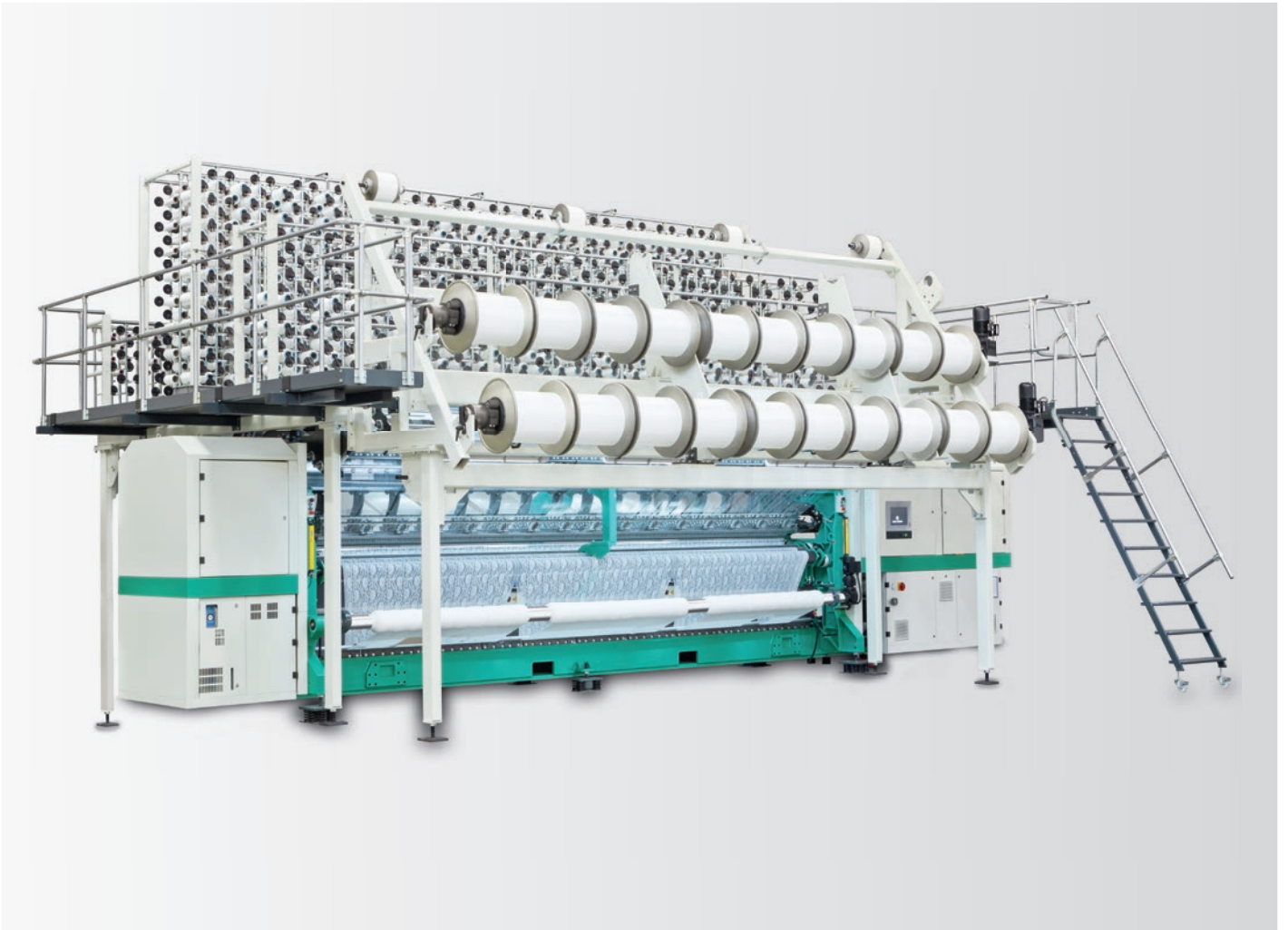
Besides the standard bar configuration, all three machines can be ordered in various alternative configurations to meet individual customer requirements.

凭借这一系列的多梳花边机，卡尔迈耶为多类高品质花边的生产提供了极具吸引力的优质设备。

女士内衣中的弹力花边条带，女士外衣中的无弹满幅面料，以及精致的窗帘面料。

在标配的基础上，这三款经编机可以选择多个附加配置，满足客户的不同需求。





FEATURES

- Alternative bar configurations to match customer requirements
- Equipped with the flexible clip string bar system
- Short set-up times and easy handling
- High operation reliability and low maintenance
- Positive pattern beam drives available

产品特点

- 可选的梳栉配置, 满足客户的不同要求
- 配备灵活的活动式钢丝花梳系统
- 简短的设置时间以及简易的操作
- 高度的操作稳定性和较少的维护
- 可配置积极式花经轴驱动

ML 34

Technical data

技术参数

	Stitch forming 成圈		Inlay lapping 衬纬								
	Ground bars 地梳		Pattern bars 花梳				Ground bars 地梳				
Shog line 横移线	1	2	3	4	5	6	7	8	9	10	11
Patterning 花梳数			4	8	12	16	20	24	30		

Working width / Gauge

340 cm = 134 inches

E 18 / E 24 / E 28

533 cm = 210 inches

E 18 / E 24

Yarn let-off device

Four electronically controlled yarn let-off gears for ground guide bars

Pattern device EL

Electronic guide bar control: ground guide bars and pattern guide bars (string bars)

KAMCOS®

(KARL MAYER COMMAND SYSTEM)

Operator interface to configure, control and adjust the electronic functionality of the machine

Fabric take-up

Electronically regulated fabric take-up, driven by geared motor, consisting of four rollers covered with black grip tape

Batching device

Batching device No. 13D integrated, centrally driven, max. batch diameter: 762 mm (30")

Electrical equipment

Speed-regulated drive, connected load 25 kVA

工作门幅/机号

340 cm = 134英寸

E 18 / E 24 / E 28

533 cm = 210英寸

E 18 / E 24

送经机构

4套电子送经装置控制地梳

EL提花机构

电子横移系统控制地梳和花梳 (钢丝花梳)

卡迈酷斯®(卡尔迈耶控制系统)

操作界面, 用于设置、控制和调节机器的电控部分功能

织物牵拉机构

电子控制的织物牵拉, 通过电机传动, 由4个包覆黑色包布的罗拉组成

卷取机构

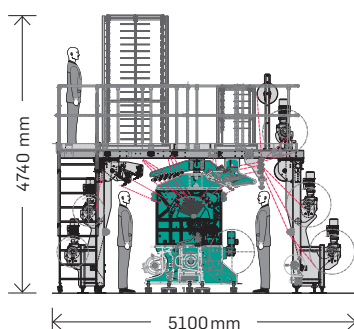
采用13 D卷取机构, 轴心传动, 最大卷装直径: 762 mm (30英寸)

电子设备

调速传动, 机器总负载25kVA

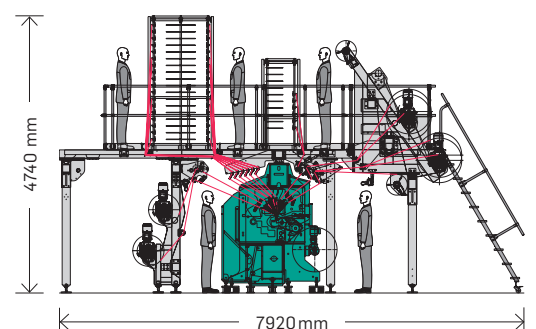
134"

Total width 宽度
9000 mm
Total depth 纵深
5100 mm
Total height 高度
4740 mm



210"

Total width 宽度
9495 mm
Total depth 纵深
7920 mm
Total height 高度
4740 mm



ML 46

Technical data

技术参数

	Stitch forming 成圈		Inlay lapping 衬纬								
	Ground bars 地梳		Pattern bars 花梳				Ground bars 地梳				
Shog line 横移线	1	2	3	4	5	6	7	8	9	10	11
Patterning 花梳数			6	12	18	24	30	36	42		

Working width / Gauge

340 cm = 134 inches

E 18 / E 24 / E 28

533 cm = 210 inches

E 18 / E 24

Yarn let-off device

Four electronically controlled yarn let-off gears for ground guide bars

Pattern device EL

Electronic guide bar control: ground guide bars and pattern guide bars (string bars)

KAMCOS®

(KARL MAYER COMMAND SYSTEM)

Operator interface to configure, control and adjust the electronic functionality of the machine

Fabric take-up

Electronically regulated fabric take-up, driven by geared motor, consisting of four rollers covered with black grip tape

Batching device

Batching device No. 13D integrated, centrally driven, max. batch diameter: 762 mm (30")

Electrical equipment

Speed-regulated drive, connected load 25 kVA

工作门幅/机号

340 cm = 134英寸

E 18 / E 24 / E 28

533 cm = 210英寸

E 18 / E 24

送经机构

4套电子送经装置控制地梳

EL提花机构

电子横移系统控制地梳和花梳 (钢丝花梳)

卡迈酷斯®(卡尔迈耶控制系统)

操作界面, 用于设置、控制和调节机器的电控部分功能

织物牵拉机构

电子控制的织物牵拉, 通过电机传动, 由4个包覆黑色包布的罗拉组成

卷取机构

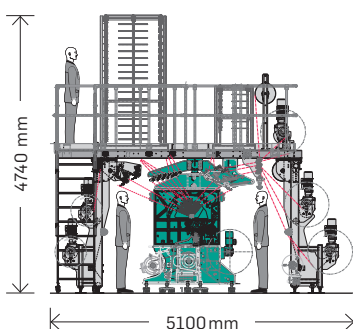
采用13 D卷取机构, 轴心传动, 最大卷装直径: 762 mm (30英寸)

电子设备

调速传动, 机器总负载25kVA

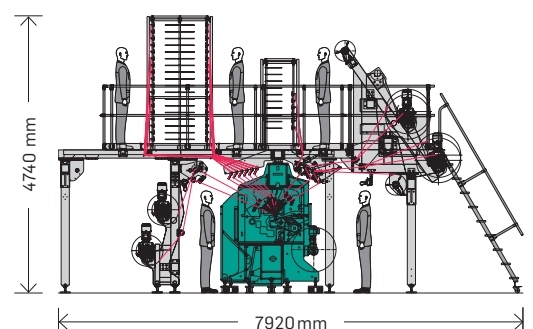
134"

Total width 宽度
9000 mm
Total depth 纵深
5100 mm
Total height 高度
4740 mm



210"












Total width 宽度
9495 mm
Total depth 纵深
7920 mm
Total height 高度
4740 mm



ML 41

Technical data

技术参数

	Stitch forming 成圈			Inlay lapping 衬纬							
	Ground bars 地梳			Pattern bars 花梳						Ground bars 地梳	
											
Shog line 横移线	1	2	3	4	5	6	7	8	9	10	11
Patterning 花梳数				6	12	18	24	30	36		

Working width / Gauge

340 cm = 134 inches

E 18 / E 24 / E 28

Yarn let-off device

Five electronically controlled yarn let-off gears for ground guide bars

Pattern device EL

Electronic guide bar control: ground guide bars and pattern guide bars (string bars)

KAMCOS®

(KARL MAYER COMMAND SYSTEM)

Operator interface to configure, control and adjust the electronic functionality of the machine

Fabric take-up

Electronically regulated fabric take-up, driven by geared motor, consisting of four rollers covered with black grip tape

Batching device

Batching device No. 13D integrated, centrally driven, max. batch diameter: 762 mm (30")

Electrical equipment

Speed-regulated drive, connected load 25 kVA

工作门幅/机号

340 cm = 134英寸

E 18 / E 24 / E 28

送经装置

4套电子送经装置控制地梳

EL提花机构

电子横移系统控制地梳和花梳(钢丝花梳)

卡迈酷斯®(卡尔迈耶控制系统)

操作界面, 用于设置、控制和调节机器的电控部分功能

织物牵拉机构

电子控制的织物牵拉, 通过电机传动, 由4个包覆黑色包布的罗拉组成

卷取机构

采用13 D卷取机构, 轴心传动, 最大卷装直径: 762 mm (30英寸)

电子设备

调速传动, 机器总负载25kVA

134"

Total width 宽度

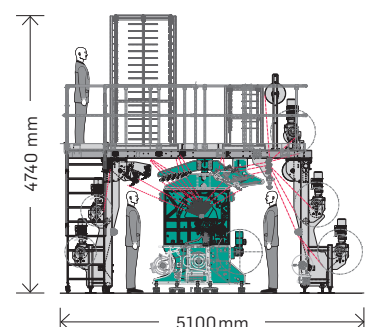
9000 mm

Total depth 纵深

5100 mm

Total height 高度

4740 mm



KARL MAYER Worldwide



Europe **Germany** Obertshausen, Chemnitz, Naila **Italy** Mezzolombardo **Switzerland** Uzwil **UK** Shepshed
Asia **China** Changzhou City, Hong Kong **India** Mumbai, Ahmedabad **Japan** Fukui-City
North America **USA** Greensboro

© KARL MAYER Textilmaschinenfabrik GmbH
Brühlstraße 25 · 63179 Obertshausen · Germany
www.karlmayer.com

The information provided in this document contains general descriptions or specifications which may change as a result of further development of the products. An obligation to provide the respective characteristics shall only exist if expressly agreed in the terms of contract. Availability and technical specifications are subject to change without notice. All rights reserved.