

KARL MAYER

WE CARE ABOUT YOUR FUTURE



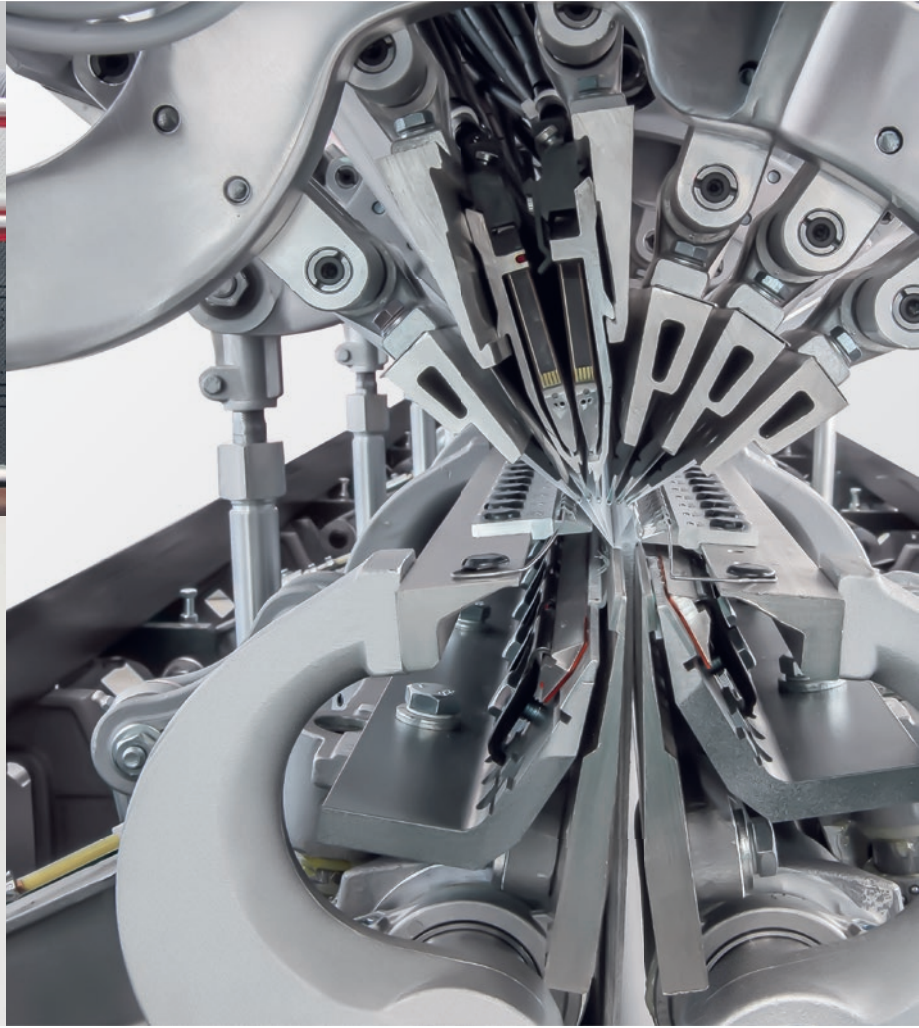
WARP KNITTING
经编机

RDPJ 7/1 (EL)

RDJ 6/1 EN

RDJ 5/1

SMART TRONIC® Double Needle Bar Machines
施迈特簇尼克®双针床经编机



DOUBLE NEEDLE BAR MACHINES: ELECTRIFY YOUR MIND WITH MANIFOLD JACQUARD-DESIGN POSSIBILITIES

双针床经编机:

强大的贾卡提花能力触动您的思维



Your Benefit – Our Solution 您的优势 – 我们的解决方案

SMART TRONIC® Double Needle Bar Machines with Piezo-Jacquard Technology 采用匹艾州贾卡技术的施迈特簇尼克®双针床经编机

Nowadays, the fashion industry is confronted with continuously changing market demands and is forced to offer new collections, not by the season, but almost by the week.

To keep up with this trend, designers and producers must come up with an enormous variety of ideas – and our machines enable them to realise them.

The Piezo-Jacquard system uses the piezoelectric elements to control individual Jacquard guide needles, one by one independently, and, thus, the pattern area in the width direction is not restricted.

All kinds of floral patterns, characters, logos and versatile net variations can be freely arranged in the desired position.

Naturally, the Jacquard patterned spacer fabric also has all specific properties of the textile spacer fabrics. High breathability, well-directed moisture and heat management or excellent padding properties are only a few of them, but such properties provide a perfect foundation for all needs – with a fashionable touch of Jacquard design.

时尚界为了应对瞬息万变的市场需求必须不断推出新品。季度性更新已经赶不上节奏，要求每周上新。

为了追赶潮流，设计师和生产商必须不断推出新设想——我们的机器帮助实现这些设想。

匹艾州贾卡系统使用匹艾州电气元件来独立控制单根贾卡导纱针，因此，横向花宽几乎不受限制。

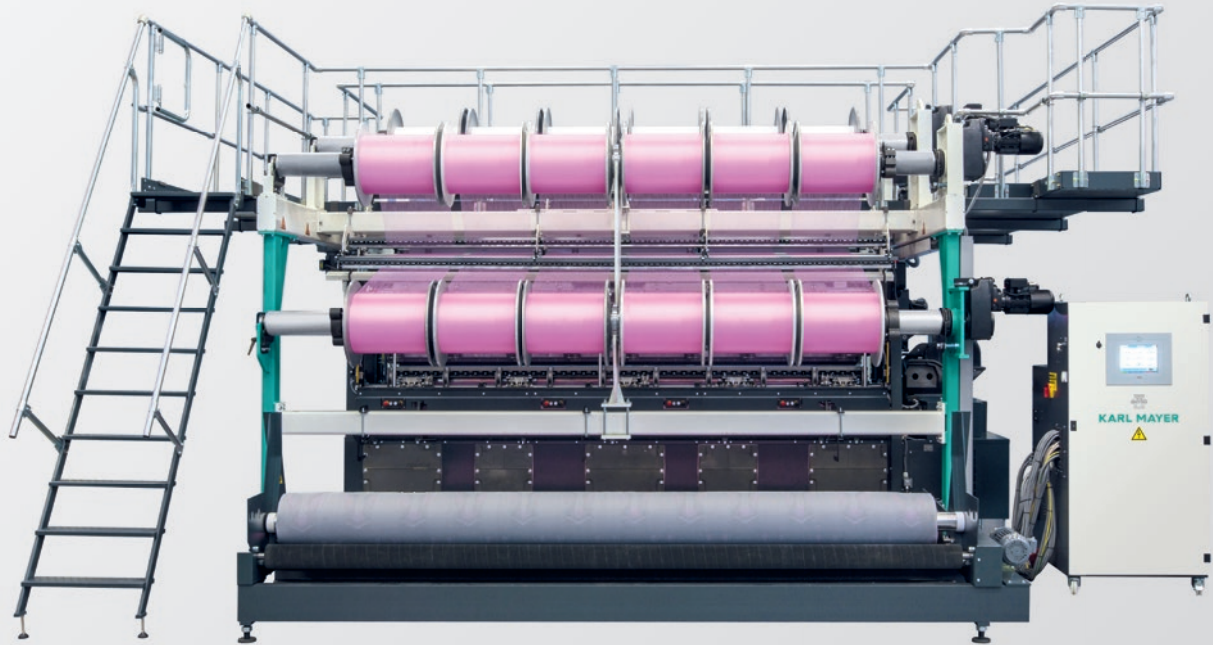
所有的花卉图案，文字、标志和各类变化网眼都能自由地呈现在目标位置。

贾卡间隔织物拥有间隔织物的所有性能。良好的透气性、定向的水汽输送和热量管理、良好的填充性能，这里仅例举了部分杰出特性。这些特性是满足各类需求的基础——与时尚的贾卡设计一起。

RDPJ 7/1 (EL); RDJ 6/1 EN; RDJ 5/1

Machine details and overview

机器详情和预览



RDJ 5/1

RDPJ 7/1 (EL)

- Highest flexibility for creative Jacquard spacer patterning
- EL – available with electronic pattern drive for flexible ground structure and pile zones
- 在间隔织物上进行灵活的贾卡提花
- 可选用EL电子横移装置

RDJ 6/1 EN

- EN drive for highly efficient production speed combines with easy and flexible patterning
- Counter-lapping of Jacquard bars possible
- Placement of holes for breathability or additional design effect
- EN提花机构, 保证高效的生产速度、简便的操作和灵活的提花能力
- 分离的贾卡梳可以反向垫纱
- 网孔用于透气或产生额外的设计效果

RDJ 5/1

- Highly efficient production speed
- Designed for production of high quality Jacquard spacer fabrics for shoe and outerwear application
- Optimised price performance
- Optional setting for the production of double layer fabrics
- 高效的生产速度
- 生产高品质贾卡间隔织物, 用于鞋类和外衣领域
- 更好的性价比
- 可设置成生产双面织物的模式



A wide range of applications and designs allows for quick reaction to the demands of the market.

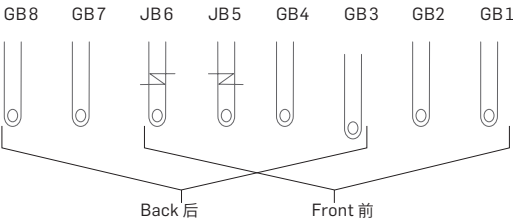
适合多种应用领域和设计，能对市场需求作出迅速反应。

End uses 终端应用	RDPJ 7/1 (EL)	RDJ 6/1 EN	RDJ 5/1
spacer 衬垫	×	×	×
plush 毛绒			
toy plush 玩具绒			
shoe fabrics 鞋材	×	×	×
outerwear 外套	×	×	×
simplex 辛普勒克斯			
seamless 无缝衣物			
medical 医用纺织品	×	×	×
semi-technical applications 半产业应用	×	×	×
mattresses 床垫	×	×	×

RDPJ 7/1 (EL)

Technical data

技术参数



Bars

Six ground guide bars, one Piezo-Jacquard guide bar (split execution); GB3, GB4, JB5 and JB6 stitch forming on both needle bars.

梳栉

6把地梳, 1把匹艾州贾卡梳(分离式); GB3, GB4, JB5和JB6在两个针床上均成圈。

Working width / Gauge

3505 mm = 138"
E 24, E 28

Knock-over comb bar distance

2–8 mm, continuously adjustable, central trick plate distance readjustment and stitch comb swivelling device

Knitting elements

Two individual latch needle bars, two knock-over comb bars, two stitch comb bars

Warp beam support

7 × 812 mm = 32"
(free-standing)

KAMCOS®

(KARL MAYER COMMAND SYSTEM)

Operator interface to configure, control and adjust the electronic functionality of the machine

Fabric take-up

Four-roller system, driven by an electronic drive

Batching device

No. 14-J1

Pattern drive

N-drive with eight pattern disks or pattern drums
EL-drive with eight electronic guide bar drives

Electrical equipment

Speed-regulated main drive, power-failure safe with separate fine-positioning function, total connected load 29 kVA
EL: 50 kVA

工作门幅/机号

3505 mm = 138英寸
E 24, E 28

脱圈板间距

2–8 mm, 无极调节, 中央隔距调节装置和沉降片床释放装置

成圈机件

2个嵌入式舌针针床, 2个脱圈板床, 2个沉降片床

经轴架

7 × 812 mm = 32英寸 (独立式)

卡迈酷斯® (卡尔迈耶控制系统)

操作界面, 用于设置、控制和调节机器的电控部分功能

织物牵拉机构

4罗拉系统, 由电机传动

卷取机构

14-J1号卷取机构

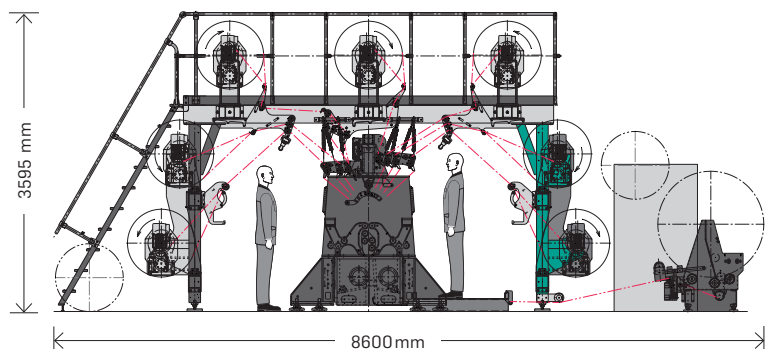
提花机构

采用8片花盘或者花纹滚筒的N型提花机构
配备8个横移电机的EL提花机构

电子设备

调速主电机, 断电保护, 具有独立的精确定位功能, 机器总连接负载29千伏安
EL: 50千伏安

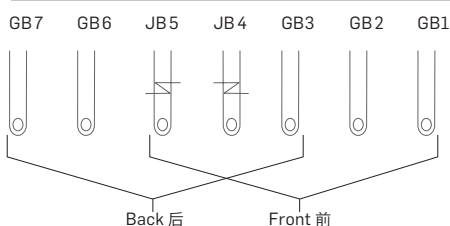
Total width 宽度
7255 mm
Total depth 纵深
8600 mm
Total height 高度
3595 mm



RDJ 6/1 EN

Technical data

技术参数



Bars

Five ground guide bars, one piezo-Jacquard guide bar (split execution); GB3, JB4 and JB5 stitch forming on both needle bars

梳栉

5把地梳, 1把匹艾州贾卡梳(分离式); GB3, JB4和JB5在两个针床上均成圈。

Working width / Gauge

3505 mm = 138"
E 22, E 24

Knock-over comb bar distance

2–8 mm, continuously adjustable, incl. patented stitch comb swivelling device
Option: central trick plate distance readjustment

Bars / Knitting elements

Two needle bars with latch needle units, two knock-over comb bars, two stitch comb bars, five ground guide bars, one Piezo Jacquard bar (split execution)
Option: individual needle bars

Warp beam support

7 × 812 mm = 32"
(free-standing)

KAMCOS®

(KARL MAYER COMMAND SYSTEM)

Operator interface to configure, control and adjust the electronic functionality of the machine

Fabric take-up

Four-roller system, driven by an electronic drive

Batching device

No. 14-J1

Pattern drive

EN-drive with seven electronic guide bar drives
Max. shog distance: ground 18 mm, Jacquard 10 mm

Electrical equipment

Speed-regulated main drive, power-failure safe with separate fine-positioning function, total connected load 38 kVA

工作门幅/机号

3505 mm = 138英寸
E 22, E 24

脱圈板间距

2–8 mm, 无极调节, 配有受专利保护的沉降片床释放装置
选配: 脱圈板中央间距调节装置

床体/成圈机件

2个装有舌针针块的针床, 2个脱圈板床以及2个运动的沉降片床。5把地梳

经轴架

7 × 812 mm = 32英寸
(独立式)

卡迈酷斯® (卡尔迈耶控制系统)

操作界面, 用于设置、控制和调节机器的电控部分功能

织物牵拉机构

4罗拉系统, 由电机传动

卷取机构

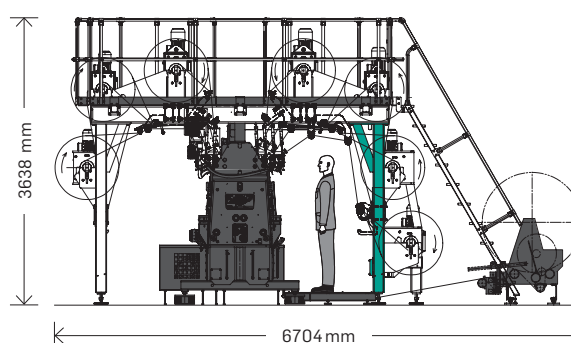
14-J1 号卷取机构

提花机构

配备7个横移电机的EN提花机构

电子设备

调速主电机, 断电保护, 具有独立的精确定位功能, 机器总连接负载 38千伏安

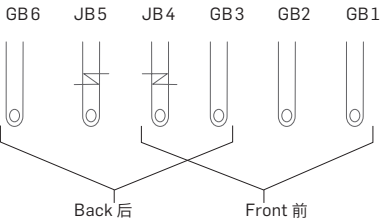


Total width 宽度
6333 mm
Total depth 纵深
6704 mm
Total height 高度
3638 mm

RDJ 5/1

Technical data

技术参数



Bars

Four ground guide bars, one Piezo-Jacquard guide bar (split execution); GB3 and JB4 stitch forming on both needle bars.

梳栉

4把地梳, 1把匹艾州贾卡梳(分离式); GB3和JB4在两个针床上均成圈

Working width / Gauge

3505 mm = 138"
E 22, E 24

Knock-over comb bar distance

2–8 mm, continuously adjustable, incl. patented stitch comb swivelling device
Optional: central trick plate distance readjustment

Knitting elements

Two needle bars with needle units and latch needles, two knock-over comb bars and two moveable stitch comb bars

Warp beam support

5 × 812 mm = 32"
(free-standing)
Optional: 6 × 812 mm = 32"
(free-standing)

KAMCOS®

(KARL MAYER COMMAND SYSTEM)

Operator interface to configure, control and adjust the electronic functionality of the machine

Fabric take-up

Four-roller system, driven by an electronic drive

Batching device

No. 14-J1

Pattern drive

N-drive with six pattern disks or pattern drums

Electrical equipment

Speed-regulated main drive, power-failure safe with separate fine-positioning function, total connected load 25 kVA

工作门幅/机号

3505 mm = 138英寸
E 22, E 24

脱圈板间距

2–8 mm, 无极调节, 包括获得专利的沉降片床释放装置
选配: 中央隔距调节装置

成圈机件

2个嵌入式舌针针床, 2个脱圈板床, 2个活动式沉降片床

经轴架

5 × 812 mm = 32英寸(独立式)
选配: 6 × 812 mm = 32英寸(独立式)

卡迈酷斯® (卡尔迈耶控制系统)

操作界面, 用于设置、控制和调节机器的电控部分功能

织物牵拉机构

4罗拉系统, 由电机传动

卷取机构

14-J1号卷取机构

提花机构

采用6个花盘或者花纹滚筒的N型提花机构

电子设备

调速主电机, 断电保护, 具有独立的精确定位功能, 机器总连接负载25千伏安

Total width 宽度
6370 mm
Total depth 纵深
5981 mm
Total height 高度
3475 mm

