

**Sectional warping machine suitable for processing all kinds of materials and material combinations equipped with the latest connectivity, measuring and control technology**

#### Your benefit



**PROACTIVE® warping ensures enhanced quality by self-learning algorithm**



**Connectivity, dashboard monitoring and Care Solutions packages**



**Innovative layer build-up system offers up to 30% more performance in warp preparation and up to 5% higher efficiency for weaving**

Technical data

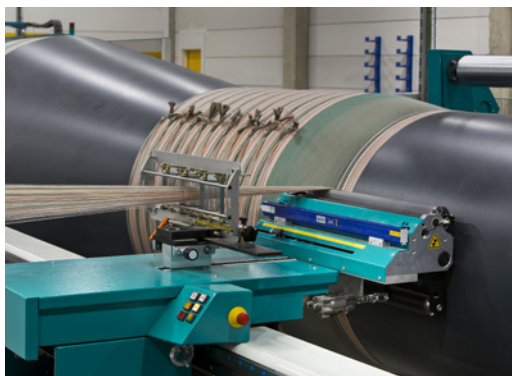
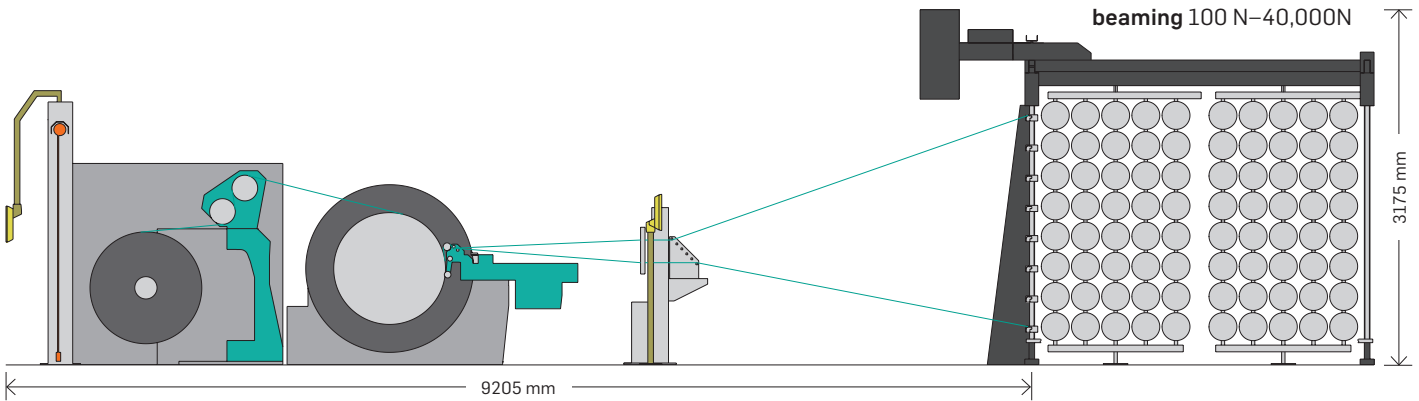
**Beaming speed**  
max. 500 m/min

**Warp beam ø**  
max. 1,250 mm

**Working width**  
up to 5,600 mm

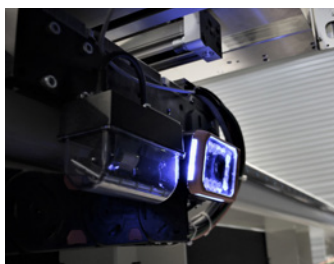
**Warping speed**  
max. 1,000 m/min

**Yarn tensile force**  
warping up to 1,800 N  
beaming 100 N–40,000N



**Intuitive and precise at once**

This machine disposes of very precise yarn build-up on the drum over the entire yarn application range, and this ensures an intuitive operation. PROACTIVE® warping for reproducible and enhanced quality at the highest level as well as dashboard functions for online monitoring are granting accurate production data capturing.



**High-quality warps**

High-performance sectional warping machine with high-resolution camera to capture additional process data and to ensure high-quality warps for technical and standard applications.

- The innovative layer build-up system offers
- up to 5% higher efficiency in weaving
  - up to 30% higher output in weaving preparation

**Connectivity and Care Solutions**

With digital connection and through our Care Solutions packages an active service support is provided.



**Options**

- Direct beaming device
- Waxing device
- Static eliminator
- Levelling roller unit
- Pressure roller system